

Recommended Design Criteria for Adjustment Bracket Parts for Switch Throw and Lock Rods, Details  
Revised 2025 (2 Pages)

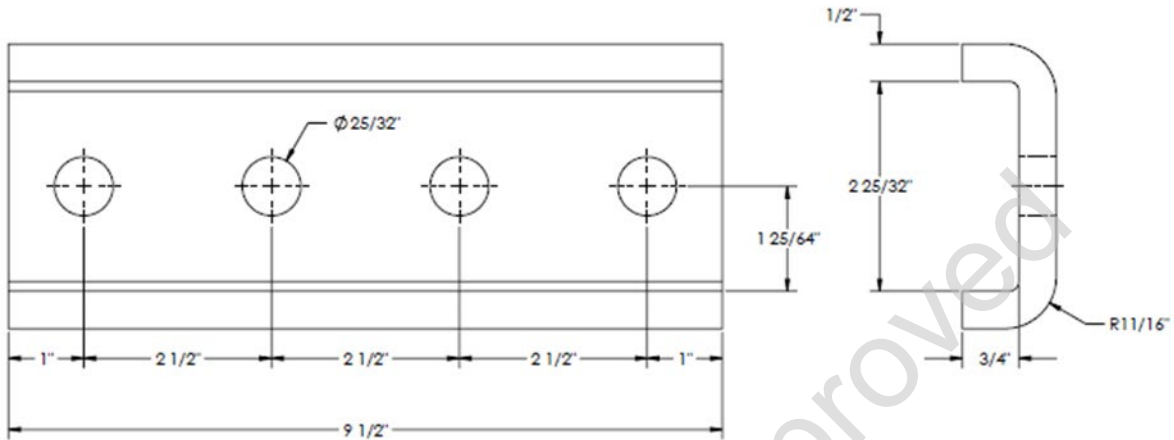


Figure 12120-1: Channel, Steel (see Note 3)

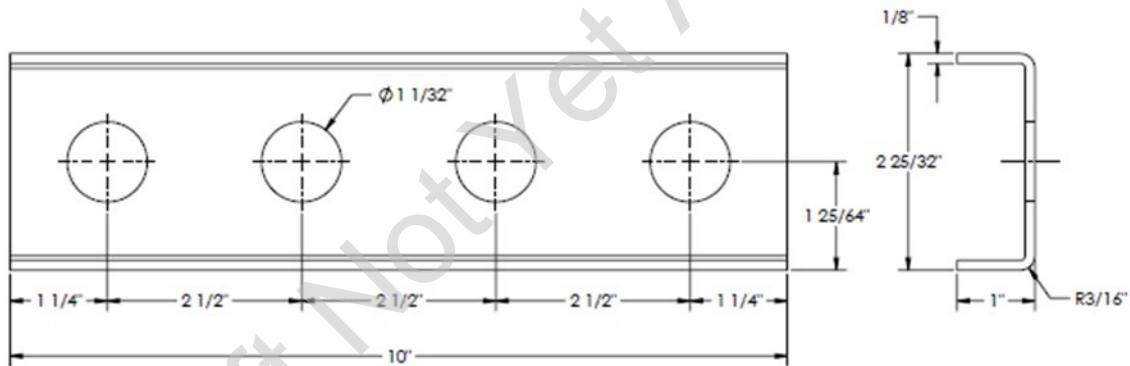


Figure 12120-2: Insulation Plate, Fiber or Fiberglass

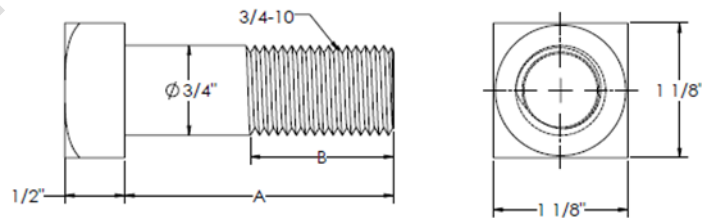


Figure 12120-3: Bolt A = 2 3/4 B = 7/8

Figure 12120-4: Bolt A = 3 1/4 B = 1 1/8

Notes:

1. Insulation shall conform to Manual Part 8.5.3 Recommended Developmental Criteria for Track Insulating Material.
2. Bolts and threads shall conform to Manual Part 14.6.20 Recommended Design Criteria for Bolts, Nuts and Threads.
3. Steel shall conform to Manual Part 15.1.4 Recommended Developmental Criteria for Various Types of Steel, Section 1, G10180 or G10200.
4. All dimensions given are in inches.

Draft Not Yet Approved